

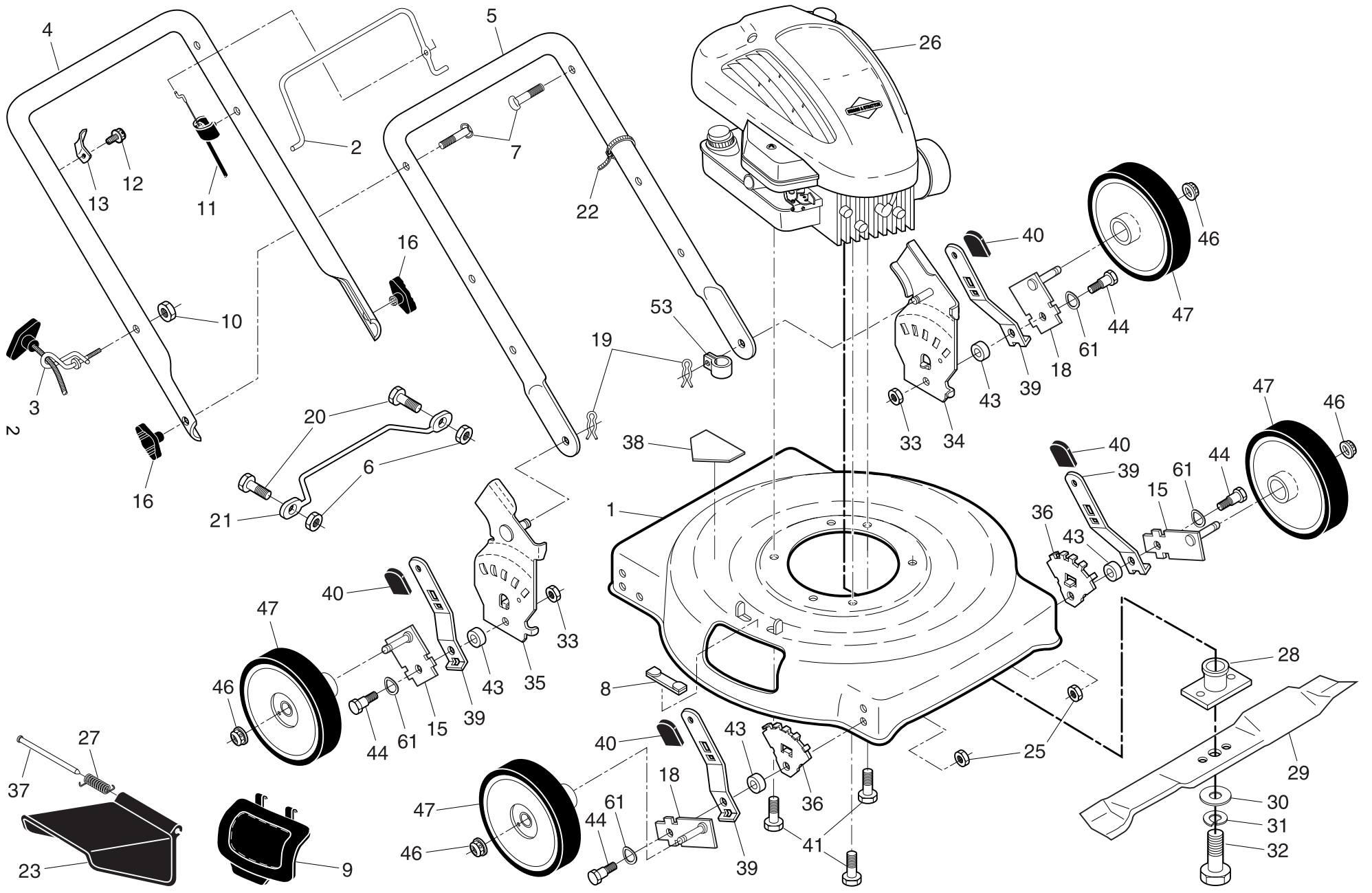
**ILLUSTRATED PARTS LIST**

**MODEL NUMBER 4556SM**

**PRODUCT NUMBER 961 11 00-08**

**MFG. ID. NUMBER 96111000803**

**ROTARY LAWN MOWER - - MODEL NUMBER 4556SM (96111000803) PRODUCT NUMBER 961 11 00-08**



# ROTARY LAWN MOWER - - MODEL NUMBER 4556SM (96111000803) PRODUCT NUMBER 961 11 00-08

3

KEY NO.	PART NO.	DESCRIPTION	KEY NO.	PART NO.	DESCRIPTION
1	532 40 23-80	Lawn Mower Housing (Includes Key Number 38)	27	<b>532 40 85-85</b>	Torsion Spring
2	532 19 55-74	Control Bar	28	532 19 38-25	Blade Adapter
3	532 19 47-88	Rope Guide	29	532 19 93-79	22" Blade
4	532 19 55-47	Upper Handle	30	532 85 10-74	Hardened Washer
5	532 17 42-91	Lower Handle	31	532 85 02-63	Helical Lockwasher 3/8
6	532 06 91-80	Locknut, Hex 1/4-20	32	532 85 10-84	Hex Head Screw 3/8-24 x 1/4 Grade 8
7	532 19 15-74	Handle Bolt 5/16-18	33	873 93 05-00	Locknut 5/16-18
8	532 16 16-22	Clip, Closeout	34	532 40 34-56	Wheel Bracket, Support, LH
9	532 16 08-30	Plate, Mulcher	35	532 40 34-57	Wheel Bracket, Support, RH
10	532 13 20-04	Nut, Hex	36	<b>532 41 05-94</b>	Wheel Bracket, Adjuster
11	532 15 81-52	Engine Zone Control Cable	37	532 16 08-33	Hinge Rod
12	532 75 06-34	Hex Thread Rolling Screw #10-24 x1/2	38	532 18 21-66	Danger Decal
13	532 12 52-03	Up-Stop Bracket	39	<b>532 40 64-28</b>	Selector Spring
15	<b>532 40 66-89</b>	Axle Arm Assembly (Rear, RH / Front, LH)	40	532 08 78-77	Selector Knob
16	532 19 19-38	Handle Knob	41	532 15 04-06	Hex Head Thread Rolling Screw 3/8-16 x 1
18	<b>532 40 66-90</b>	Axle Arm Assembly (Rear, LH / Front, RH)	43	<b>532 40 16-29</b>	Spacer
19	532 05 17-93	Hairpin Cotter	44	<b>532 40 16-38</b>	Shoulder Bolt
20	532 08 58-25	Hex Head Screw 1/4	46	<b>532 40 91-48</b>	Locknut, Hex 5/16-18
21	532 15 41-47	Footguard	47	532 40 31-14	Wheel & Tire Assembly
22	532 06 64-26	Wire Tie	53	532 19 79-91	Clip, Cable
23	532 16 08-31	Discharge Guard	61	<b>532 40 16-30</b>	Washer, Curved, Cylindrical
25	532 16 67-85	Nut, Hex	--	532 18 21-91	Warning Decal (not shown)
26	- - -	Engine, Briggs & Stratton, Model Number 10G902 (Order parts from engine manufacturer)	--	532 19 70-51	Operator's Manual, European
			--	532 19 70-52	Operator's Manual, Scandinavian

**NOTE:** All component dimensions given in U.S. inches. 1 inch = 25.4 mm. **IMPORTANT:** Use only Original Equipment Manufacturer (O.E.M.) replacement parts. Failure to do so could be hazardous, damage your lawn mower and void your warranty.